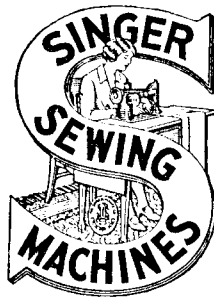


SINGER
12W208, W209

LIST OF PARTS



MACHINES Nos. 12w208 and 12w209

THE SINGER MANUFACTURING COMPANY

INDEX

	PAGE
ACCESSORIES	15
BOBBIN WINDER	15
KNEE LIFTER	17
MACHINE No. 12w208	7
" " 12w209	14
NUMERICAL LIST OF PARTS	19
STARTING TREADLE	16
THROAT PLATES	17

From the library of: Diamond Needle Corp

Instructions for Ordering

In ordering from this list, use **ONLY** the **PART** number in the **FIRST** column.

The number stamped on a Sewing Machine Part is the number of the Single Part only, except when the part includes Set Screws, Clamping Screws, Studs and Rollers Spun on, Small Wires riveted, or Parts soldered together, etc., which it is necessary to furnish in combination.

Every combination of parts sent out has its specific number which, although not stamped on Parts (except in above case), must be used when ordering the combination.

Each number always indicates the **SAME PART** in whatever list it appears, or for whatever Machine.

The letters after some of the numbers indicate the style of finish only, as follows:

- A. Hardened, Polished and Plated.
- B. Polished and Plated.
- C. Hardened only.
- D. Polished only.
- E. Soft, not polished.
- F. Hardened and Polished
- H. Blued.
- J. Nickel Plated only
- R. Merlized.
- Y. Black Nickel Plated only.

These letters **MUST BE USED** when they appear in the list and **AFTER** the number, as in the list.

In this series

200001 to 201500 and 350001 to 351500 are Screw Numbers.
201501 to 201800 and 351501 to 351800 are Nut Numbers.
201801 to 202000 and 350801 to 352000 are Roller Numbers.
202001 to 350000 are Numbers of Machine Parts.

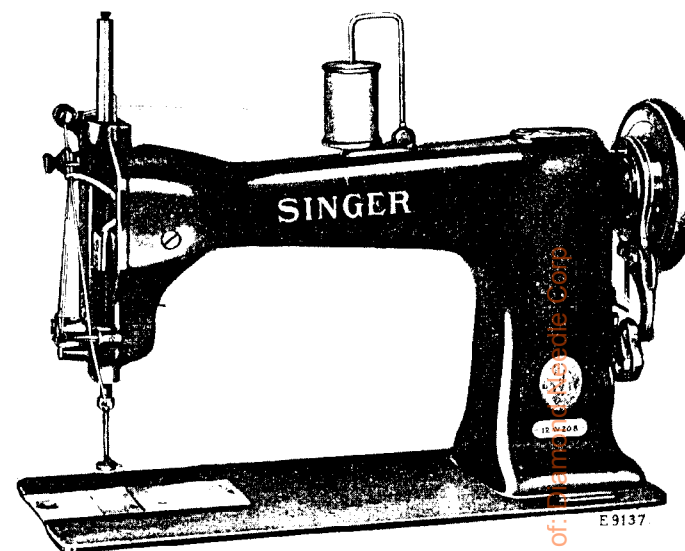
The figures in the second column refer only to the plate in which the illustration of the part is shown and are **NOT TO BE USED** in ordering.

Two or more numbers over a cut indicate that the difference between such parts is not visible in an illustration.

Parts marked with an asterisk (*) are furnished only when repairs are made at the factory.

LIST OF PARTS COMPLETE

FOR



MACHINE No. 12w208

HAS STOP MOTION. NO FEED MOTION

For Tacking Coat Pads, Shoulder Pads and
Stair Pads, Basting Coats, etc.

No.	Plate	Name
*207885	-----	Arm
204163	12785	" Cap
200278H	12784	" " Screw
202248	12784	" " " Washer
204235	12784	" Position Pin (2)
200010E	12784	" Screw (3)
202005	12784	" " Washer (3)
207886	12786	" Shaft
204736	12785	" " Bushing (back)
200383C	12784	" " " " Set Screw
207887	12785	" " " (front) with
		202260
202260	-----	Arm Shaft Bushing (front) Oil Packing (wick)

No.	Plate	Name
200502B	12784	Arm Shaft Bushing (front) Oil Packing Thumb Screw
200338C	12784	Arm Shaft Bushing (front) Set Screw
204706	12786	Arm Shaft Connection with four 200054E (2)
200054E	12784	Arm Shaft Connection Screw
207833	12786	Balance Wheel (belt groove 2 3/4 in. diameter)
200776D	10494	Balance Wheel Adjusting Screw ..
207834	—	Balance Wheel complete, Nos. 204741, 207833, 223002, 235328, 235396, three each 200233C, 204744 and four 200567U
*207888	—	Bed with 203376, 204245, 204393 and two 200516E
202258	12153	Bed Hinge Connection (2)
200570E	12784	" " " Screw (4)
206105	12785	" Slide (back)
204177	12785	" " (front)
206076	12784	Bobbin
208382	12784	" Case (solid center bearing) with 204181
204181	12784	Bobbin Case Position Finger
204531	12784	" " Tension Spring
200598C	12784	" " " " Adjusting Screw
200592C	12784	Bobbin Case Tension Spring Screw
208383	—	Bobbin Case complete, Nos. 200592C, 200598C, 204531 and 208382
207814	—	Face Plate with 200366U, 202087, 202090, 204185, 204281, 204730, two each 200368U and 200397U ..
200053C	12784	Face Plate Screw
204185	12784	" " Thread Guide
200397U	12309	" " " " Set Screw
207815	12701	Face Plate complete, Nos. 200577U, 204059, 204272, 204731, 204795, 207812 to 207814, two each 200118F and 200309E
204216	10449	Hook (sewing) with 204217
204217	10449	" Bobbin Case Stud
204218	10446	" Bracket with 200379C and three 204234
204219	10448	Hook Bracket 204218 with 204226 ..
207820	—	" " 204219 with 204224, 204225, 204229, 204539, two each 204223 and 204231
200379C	10446	Hook Bracket Adjusting Screw (lower)

No.	Plate	Name
200334C	12784	Hook Bracket Adjusting Screw (upper)
204539	12784	Hook Bracket Bobbin Case Stop (hinged)
204223	10448	Hook Bracket Bobbin Case Stop Hinge Pin
204224	10446	Hook Bracket Bobbin Case Stop Latch
204223	10448	Hook Bracket Bobbin Case Stop Latch Hinge Pin
204225	10446	Hook Bracket Bobbin Case Stop Latch Spring
200562C	10446	Hook Bracket Screw (lower)
200564C	10446	" " " (upper)
207821	—	Hook Bracket complete, Nos. 204216 and 207820
204239	10449	Hook Driver with 204242 and 204243
204393	12784	" " Bushing
208246	—	" " Crank
204240	10449	" " " 208246 with 200378C, 200662C, 201530E and two 200348C
204241	12784	Hook Driver Crank Link
200669C	10448	" " " " Stud
201530E	10448	" " " " Nut
200348C	10448	" " " Set Screw (long)
200378C	12784	" " " " (short)
200662C	10448	" " " Stud
201530E	10448	" " " " Nut
204243	10449	" " Pin
204242	10449	" " Washer
207889	12786	" Driving Shaft
204245	12785	" " " Bearing
202126	12784	" " " " Position Pin
200516E	12784	Hook Driving Shaft Bearing Screw
204246	12784	" " " Collar with two 200383C
200383C	12784	Hook Driving Shaft Collar Set Screw
204201	12785	Hook Driving Shaft Crank with 200335C, 200431C, 200669C and 201530E
200431C	12784	Hook Driving Shaft Crank Position Screw
200335C	10494	Hook Driving Shaft Crank Set Screw
204226	12785	Hook Race, .156 in. thick, 1.906 in. diameter

From the library of Digital Needle Co.

No.	Plate	Name
204229	10446	Hook Race Cap (iron)
204230	10446	" " " Spring
204231	10446	" " " " 204230 with 200792E
200792E	10446	Hook Race Cap Spring Screw
204234	10446	" " Position Pin
235328	12786	Machine Driving Friction (leather)
204741	12786	" " " Clamp
204742	12785	" " " " Oper- ating Washer
204743	12786	Machine Driving Friction Clamp Operating Washer Incline Lever
200233c	10494	Machine Driving Friction Clamp Screw
204744	10494	Machine Driving Friction Clamp Spring
235396	12786	Machine Driving Friction Position Plate
200567H	12784	Machine Driving Friction Position Plate Screw
204745	12786	Machine Incline Lever with 201230E and 201537E
207890	12786	Machine Incline Lever Bearing with 200383c and 204736
200565E	12784	Machine Incline Lever Bearing Screw (3)
201230E	12787	Machine Incline Lever Position Screw
201537E	12319	Machine Incline Lever Position Screw Check Nut
201072D	12787	Machine Incline Lever Screw
202622	10494	" " " " Washer
223001	12785	" Starting Lever
200219D	10494	" " " Hinge Screw
200335c	10494	" " " " "
		Set Screw
223002	12786	Machine Stop Cam with 200328c, 200335c, 200370c, 204747 and 206427
204747	---	Machine Stop Cam Friction Ring (leather)
206427	12787	Machine Stop Cam Friction Ring Position Pin
200328c	10494	Machine Stop Cam Position Screw
200370c	12787	" " " " " Check Screw

No.	Plate	Name
200335c	10494	Machine Stop Cam Set Screw
223013	12787	" " " Slide
200249F	10494	" " " " Hinge Screw
201525E	10494	" " " " " "
		Nut
223015	12785	Machine Stop Cam Slide Lever
223016	---	" " " " "
		223015 with 200122D, 200249F, 200991F, 201822, 223013, 223014 and two 201525E
200258D	10494	Machine Stop Cam Slide Lever Hinge Screw
201522E	12787	Machine Stop Cam Slide Lever Hinge Screw Nut
201822	10494	Machine Stop Cam Slide Lever Roller
200991F	12787	Machine Stop Cam Slide Lever Roller Screw Stud
201525E	10494	Machine Stop Cam Slide Lever Roller Screw Stud Nut
223014	12787	Machine Stop Cam Slide Spring
200122D	12787	" " " " " Screw
223017	---	Machine Stop Motion complete, Nos. 200219D, 200258D, 200776D, 201072D, 201522E, 202622, 204742, 204743, 204745, 207834, 223001 and 223016
207837	12785	Needle Bar (hollow) with 207840 ..
204717	12787	" " Connecting Link
200658c	12787	" " " " Hinge Screw Stud
200346c	12787	Needle Bar Connecting Link Hinge Screw Stud Set Screw
204479	12787	Needle Bar Connecting Link Hinge Screw Stud Set Screw Packing (brass)
204249	12787	Needle Bar Connecting Stud with 200072c and 202277
202277	---	Needle Bar Connecting Stud Oil Packing (wick)
200072c	12787	Needle Bar Connecting Stud Pinch Screw
207835	12787	Needle Bar Guard
204326	---	" " Packing Cord (2)
200504E	12787	" " Screw Bushing (lower)
*207840	---	" Clamp with 200420F
200420F	10494	" " Set Screw
204757	12786	" Stripper Bar with 204758 and two 200610F

MACHINE No. 12w209

HAS STOP MOTION. NO FEED MOTION

For Tacking Coat Pads, Shoulder Pads and
Stair Pads, Basting Coats, etc.

Same as Machine No. 12w208 with the following
exceptions:

No.	Plate	Name
227465	12790	Knee Presser Lever
227470	—	“ “ “ 227465 with 200262H
200262H	12789	Knee Presser Lever Hinge Screw..
227310	12790	“ “ “ Rod with 202302
202302	12789	“ “ “ “ Cotter Pin
208380	12790	Presser Bar
213639	12789	“ “ Collar with 200380c...
200380c	12319	“ “ “ Set Screw
204253	12789	“ “ Lifting Bracket with 200086c
200086c	12789	Presser Bar Lifting Bracket Pinch Screw
204720	12789	Presser Bar Lifting Bracket Posi- tion Guide
200362c	12789	Presser Bar Lifting Bracket Posi- tion Guide Set Screw
204327	—	Presser Bar Packing Washer (felt)
200504E	12787	“ “ Screw Bushing (lower)
204259	12789	“ “ Spring
200499H	12789	“ “ Thumb Screw (pres- sure regulating)

ACCESSORIES

FOR MACHINE No. 12w208

No.	Plate	Name
206076	12784	Bobbin (5)
*225482	—	“ Case Screw Driver Blade ..
*225483	—	“ “ “ “ Handle ..
225497	12153	Bobbin Case Screw Driver com- plete, Nos. 225482 and 225483 ..
129 x 1	—	Needles, six, size 22
228213	—	Drip Pan with four 1 in. wire nails
41400	12153	Machine Rest Pin (wood)
120342	12153	Oiler (copper plated) with 120343
120343	12153	“ Spout (3½ in. long)
*225484	—	Screw Driver Blade
*225485	—	“ “ Handle
225498	12153	Screw Driver complete (7½ in. long), Nos. 225484 and 225485 ..
225554	12153	Wrench

BOBBIN WINDER

Swing Automatic, Right Hand

202470	12320	Base
202471	12320	Frame
200221D	12319	“ Hinge Screw
202472	12319	“ Spring
200161D	12319	“ “ Screw
202473	12320	Pulley with 200380c
200380c	12319	“ Set Screw
202474	12320	Spindle
227522	12319	Stop Latch
200056E	12319	“ “ Screw
202477	12319	“ “ Thumb Lever
200299H	12319	“ “ “ “ Hinge Screw
200299H	12319	“ “ “ “ Joint Screw
201537H	12319	“ “ “ “ “ “ “ Nut
202478	12319	Stop Latch Trip Lever
200299H	12319	“ “ “ “ Hinge Screw
227523	12320	Bobbin Winder complete, Nos. 200056E, 200161D, 200221D, 201537H, 202470 to 202474, 202477, 202478, 227522, three 200299H and two round head wood screws ¾ in., No. 12

From the library of: Diamond Needle Corp.

No.	Plate	Name
202480	12320	Spool Holder Base with 200355u and 202484
202481	12320	Spool Holder Base Spool Pin
202482	12319	" " Tension Disc (lower or upper)
200011b	12319	Spool Holder Tension Disc Screw
200355u	12319	" " " " " " Set Screw
202483	12319	Spool Holder Tension Disc Spring (brass)
202484	12319	Spool Holder Tension Disc Thread Guide
202485	12320	Bobbin Winder Spool Holder complete, Nos. 200011b, 202480, 202481, 202483, two 202482 and one wood screw 1 in., No. 13
227524	----	Bobbin Winder and Spool Holder complete, Nos. 202485 and 227523

STARTING TREADLE

126036	12790	Treadle
126037	----	" 126036 with 2718r, 50581r and 126038
126038	12790	Treadle Extension
50581r	12789	" " Screw
2718r	12789	" " " Washer
228189	----	Treadle complete, Nos. 126037 and two 206386
228190	----	Treadle and Pitman complete, Nos. 227957 and 228189
204696	12789	Treadle Lifting Spring
204697	12789	" " " Hook (bench)
204698	12790	" Pitman Rod (upper) with 202302
227956	11951	Treadle Pitman Rod (lower)
204126	12789	" " " Clamp with two 200530c
200530c	12789	Treadle Pitman Rod Clamp Set Screw
202302	12789	Treadle Pitman Rod Cotter Pin
227957	11951	Starting Treadle Pitman complete, Nos. 204696 to 204698, 227956 and two 204126
206386	11951	Treadle Stand (left or right) with two wood screws 1 in., No. 12

FOR MACHINE No. 12w209

Same as for No. 12w208 with the following exception:

No.	Plate	Name
126 x3	----	Needles, six, size 22, in place of 129x1

KNEE LIFTER

2763	13395	Rock Shaft
228278	13395	" " Hanger (back) with 356c
228279	----	Rock Shaft Hanger 228278 with 202452 and 228282
228280	13395	Rock Shaft Hanger (front) with two 356c
228281	----	Rock Shaft Hanger 228280 with 202452 and 228282
228282	13395	Rock Shaft Hanger Bracket with two wood screws $\frac{3}{4}$ in., No. 12
202452	----	Rock Shaft Hanger Hinge Pin
228283	13395	" " Lifting Lever with two 356c
227728	13395	Rock Shaft Lifting Lever Rod with 227729
227729	----	Rock Shaft Lifting Lever Rod Cap 356c
356c	----	" " " " " " Set Screw
356c	----	Rock Shaft Lifting Lever Set Screw
202455	13395	" " Knee Arm
356c	----	" " " " Set Screw
228284	13395	" " " Plate with 356c
356c	----	" " " " Set Screw
356c	----	" " " " Set Screw
228285	13395	Knee Lifter Rock Shaft complete, Nos. 2763, 202455, 227728, 228279, 228281, 228283 and 228284

THROAT PLATES

207418	12788	Throat Plate, 46 needle hole, for needle sizes 16 and 18
207424	12788	Throat Plate, 50 needle hole, for needle sizes 14 and 15

NUMERICAL LIST OF PARTS
FOR
MACHINES
Nos. 12w208 and 12w209

NUMERICAL LIST OF PARTS

No.	Plate	Name
356c		Knee Lifter Rock Shaft Knee Arm Set Screw, for 228280
356c		Knee Lifter Rock Shaft Knee Plate Set Screw, for 228284
356c		Knee Lifter Rock Shaft Lifting Lever Set Screw, for 228283
356c		Knee Lifter Rock Shaft Set Screw, for 228278 and 228280
356c		Knee Lifter Lifting Lever Rod Set Screw, for 228283
2718R	12789	Starting Treadle Extension Screw Washer, for 126037
2763	13395	Knee Lifter Rock Shaft, for 228285
41400	12153	Machine Rest Pin (wood)
50581R	12789	Starting Treadle Extension Screw, for 126037
120342	12153	Oiler (copper plated) with 120343..
120343	12153	" Spout (3½ in. long), for 20342
126036	12790	Starting Treadle, for 126037
126037		" " 126036 with 2718R, 50581R and 126038, for 228189 ..
126038	12790	Starting Treadle Extension, for 126037
200010c	12784	Arm Screw
200011b	12319	Bobbin Winder Spool Holder Tension Disc Screw, for 20248
200042f	12788	Take-up Lever Bearing Screw, for 213816
200053c	12784	Face Plate Screw
200054e	12784	Arm Shaft Connection Screw, for 204706
200056e	12319	Bobbin Winder Stop Latch Screw, for 227523
200072c	12787	Needle Bar Connecting Stud Pinch Screw, for 204249
200079h	12787	Spool Holder Wire Hinge Screw, for 204297
200086c	12789	Presser Bar Lifting Bracket Pinch Screw, for 204253
200118r	12788	Tension Release Lever Operating Lever Screw, for 207815
200122h	12787	Machine Stop Cam Slide Spring Screw, for 223016

No.	Plate	Name
200161D	12319	Bobbin Winder Frame Spring Screw, for 227523
200219D	10494	Machine Starting Lever Hinge Screw, for 223017
200221D	12319	Bobbin Winder Frame Hinge Screw, for 227523
200233C	10494	Machine Driving Friction Clamp Screw, for 207834
200249F	10494	Machine Stop Cam Slide Hinge Screw, for 223016
200258D	10494	Machine Stop Cam Slide Lever Hinge Screw, for 223017
200262H	12789	Knee Presser Lever Hinge Screw, for 227470
200278H	12784	Arm Cap Screw
200299H	12319	Bobbin Winder Stop Latch Thumb Lever Hinge Screw, for 227523 ..
200299H	12319	Bobbin Winder Stop Latch Thumb Lever Joint Screw, for 227523 ..
200299H	12319	Bobbin Winder Stop Latch Trip Lever Hinge Screw, for 227523 ..
200300C	12309	Thread Controller Roller Screw, for 205987
200309E	12309	Tension Release Lever Screw, for 207815
200328C	10494	Machine Stop Cam Position Screw, for 223002
200334C	12784	Hook Bracket Adjusting Screw (upper)
200335C	10494	Hook Driving Shaft Crank Set Screw, for 204201
200335C	10494	Machine Starting Lever Hinge Screw Set Screw
200335C	10494	Machine Stop Cam Set Screw, for 223002
200335C	10494	Take-up Cam Set Screw, for 204722 ..
200338C	12784	Arm Shaft Bushing (front) Set Screw
200346C	12787	Needle Bar Connecting Link Hinge Screw Stud Set Screw, for 204722 ..
200348C	10448	Hook Driver Crank Set Screw (long), for 204240
200355H	12319	Bobbin Winder Spool Holder Tension Disc Screw Set Screw, for 202480
200362C	12789	Presser Bar Lifting Bracket Position Guide Set Screw, for Machine No. 12w209
200366H	12309	Thread Retainer Stud Set Screw, for 207814

No.	Plate	Name
200368D	12309	Thread Controller Thread Guard Set Screw
200368H	12309	Thread Controller Spring Stud Set Screw, for 207814
200370C	12787	Machine Stop Cam Position Screw Check Screw, for 223002
200378C	12784	Hook Driver Crank Set Screw (short), for 204240
200379C	10446	Hook Bracket Adjusting Screw (lower), for 204218
200380C	12319	Bobbin Winder Pulley Set Screw, for 202473
200380C	12319	Presser Bar Collar Set Screw, for 213639
200383C	12784	Arm Shaft Bushing (back) Set Screw, for 207890
200383C	12784	Hook Driving Shaft Collar Set Screw, for 204246
200383C	12784	Take-up Cam Position Screw Check Screw, for 204722
200397H	12309	Tension Stud Set Screw
200397H	12309	Face Plate Thread Guide Set Screw, for 207814
200420F	10494	Needle Clamp Set Screw, for 207840 ..
200430C	12787	Take-up Cam Position Screw, for 204722
200431C	12784	Hook Driving Shaft Crank Position Screw, for 204201
200499B	12789	Presser Bar Thumb Screw (pressure regulating), for Machine No. 12w209
200502B	12784	Arm Shaft Bushing (front) Oil Packing Thumb Screw
200504E	12787	Needle Bar Screw Bushing (lower) ..
200504E	12787	Presser Bar Screw Bushing (lower), for Machine No. 12w209
200516E	12784	Hook Driving Shaft Bearing Screw, for 207888
200530C	12789	Starting Treadle Pitman Rod Clamp Set Screw, for 204126
200562C	10446	Hook Bracket Screw (lower)
200564C	10446	" " " (upper)
200565E	12784	Machine Incline Lever Bearing Screw
200567H	12784	Machine Driving Friction Position Plate Screw, for 207834
200570E	12784	Bed Hinge Connection Screw
200575H	12787	Spool Holder Base Screw
200577H	12788	Thread Controller Plate Screw, for 207815

From the Library of the Missouri State Historical Society

No.	Plate	Name
200577H	12788	Throat Plate Screw
200581H	12309	Thread Controller Spring Guard Screw, for 205987
200592C	12784	Bobbin Case Tension Spring Screw, for 208383
200598C	12784	Bobbin Case Tension Spring Ad- justing Screw, for 208383
200610F	10494	Needle Stripper Bar Position Guide Screw, for 204757
200632B	12309	Tension Stud, for 204272
200658C	12787	Needle Bar Connecting Link Hinge Screw Stud, for 204722
200662C	10448	Hook Driver Crank Stud, for 204240
200669C	10448	" " " Link Stud, for 204201
200776D	10494	Balance Wheel Adjusting Screw, for 223017
200792E	10446	Hook Race Cap Spring Screw, for 204231
200846E	10494	Needle Stripper Bar Screw Bushing, for 207839
200991F	12787	Machine Stop Cam Slide Lever Roller Screw Stud, for 223016 ..
201072D	12787	Machine Incline Lever Screw, for 223017
201230E	12787	Machine Incline Lever Position Screw, for 204745
201522E	12787	Machine Stop Cam Slide Lever Hinge Screw Nut, for 223017
201525E	10494	Machine Stop Cam Slide Lever Roller Screw Stud Nut
201525E	10494	Machine Stop Cam Slide Hinge Screw Nut, for 223016
201530E	10448	Hook Driver Crank Stud Nut, for 204240
201530E	10448	Hook Driver Crank Link Stud Nut, for 204201
201537H	12319	Bobbin Winder Stop Latch Thumb Lever Joint Screw Nut, for 227523
201537E	12319	Machine Incline Lever Position Screw Check Nut, for 204745 ...
201540E	10494	Needle Stripper Bar Thumb Nut Check Nut, for 207839
201572B	12309	Tension Thumb Nut, for 204272 ..
201608B	12787	Needle Stripper Bar Thumb Nut, for 207839
201816	12788	Take-up Lever Roller, for 213816 ..
201822	10494	Machine Stop Cam Slide Lever Rol- ler, for 223016

No.	Plate	Name
202005	12784	Arm Screw Washer
202068	12153	Spool Holder Base, for 204297
202075	12309	Tension Release Plunger, for 204272
202084	12309	Thread Controller Roller Guard Washer, for 205987
202087	12788	Thread Controller Spring Stop, for 207814
202090	12309	Tension Disc Position Pin, for 207814
202091	12309	Thread Retainer Sleeve, for 204059
202092	12309	" " Spring, for 204059 ..
202098	12309	" Controller Roller, for 205987
202126	12784	Hook Driving Shaft Bearing Posi- tion Pin
202248	12784	Arm Cap Screw Washer
202258	12153	Bed Hinge Connection
202260	----	Arm Shaft Bushing (front) Oil Packing (wick), for 207887
202277	----	Needle Bar Connecting Stud Oil Packing (wick), for 204249
202302	12789	Knee Presser Lever Rod Cotter Pin, for 227310
202302	12789	Starting Treadle Pitman Rod Cotter Pin, for 204698
202407	12309	Tension Spring, for 204272
202413	12788	Thread Guide
202452	----	Knee Lifter Rock Shaft Hanger Hinge Pin, for 228279 and 228281
202455	13395	Knee Lifter Rock Shaft Knee Arm, for 228285
Nos. 202470 to 202474, for 227523		
202470	12320	Bobbin Winder Base
202471	12320	" " Frame
202472	12319	" " Spring
202473	12320	" " Pulley with 200380C
202474	12320	" " Spindle
202477	12319	" " Stop Latch Thumb Lever, for 227523
202478	12319	Bobbin Winder Stop Latch Trip Lever, for 227523
202480	12320	Bobbin Winder Spool Holder Base with 200355H and 202484, for 202485
202481	12320	Bobbin Winder Spool Holder Base Spool Pin, for 202485
202482	12319	Bobbin Winder Spool Holder Ten- sion Disc (lower or upper), for 202485

From the files of Diamond Needle Corp.

No.	Plate	Name
202483	12319	Bobbin Winder Spool Holder Tension Disc Spring (brass), for 202485
202484	12319	Bobbin Winder Spool Holder Tension Disc Thread Guide, for 202480
202485	12320	Bobbin Winder Spool Holder complete, Nos. 200011b, 202480, 202481, 202483, two 202482 and one wood screw 1 in., No. 13, for 227524 ..
202622	10494	Machine Incline Lever Screw Washer, for 223017
203376	12788	Throat Plate Position Pin, for 207888
204058	12309	Thread Retainer Stud, for 204059..
204059	12309	Thread Retainer complete, Nos. 202091, 202092 and 204058, for 207815
204126	12789	Starting Treadle Pitman Rod Clamp with two 200530c, for 227957
204163	12785	Arm Cap
204177	12785	Bed Slide (front)
204181	12784	Bobbin Case Position Finger, for 208382
204185	12784	Face Plate Thread Guide, for 207814
204201	12785	Hook Driving Shaft Crank with 200335c, 200431c, 200669c and 201530c
204216	10449	Hook (sewing) with 204217, for 207821
204217	10449	Hook Bobbin Case Stud, for 204216
204218	10446	" Bracket with 200379c and three 204234, for 204219
204219	10448	Hook Bracket 204218 with 204226, for 207820
		Nos. 204223 to 204225, for 207820
204223	10448	Hook Bracket Bobbin Case Stop Hinge Pin
204223	10448	Hook Bracket Bobbin Case Stop Latch Hinge Pin
204224	10446	Hook Bracket Bobbin Case Stop Latch
204225	10446	Hook Bracket Bobbin Case Stop Latch Spring
204226	12785	Hook Race, .156 in. thick, 1.906 in. diam., for 204219

No.	Plate	Name
204229	10446	Hook Race Cap (iron), for 207820
204230	10446	" " " Spring, for 204231
204231	10446	" " " " 204230 with 200792e, for 207820
204234	10446	Hook Race Position Pin, for 204218
204235	12784	Arm Position Pin
204239	10449	Hook Driver with 204242 and 204243
204240	10449	" " Crank 208246 with 200378c, 200662c, 201530e and two 200348c
204241	12784	Hook Driver Crank Link
204242	10449	" " Washer, for 204239
204243	10449	" " Pin, for 204239
204245	12785	" Driving Shaft Bearing, for 207888
204246	12784	Hook Driving Shaft Collar with two 200383c
204249	12787	Needle Bar Connecting Stud with 200072c and 202277
204253	12789	Presser Bar Lifting Bracket with 200086c, for Machine No. 12w209
204259	12789	Presser Bar Spring, for Machine No. 12w209
204262	12788	Take-up Lever, for 208372
204264	12788	" " Bearing Position Pin, for 204723
204271	12309	Tension Washer, for 204272
204272	12309	Tension complete, Nos. 200632b, 201572a, 202075, 202407, 204271 and two 244007, for 207815
204274	12309	Thread Controller Plate, for 205987
204275	12309	" " Roller Guard for 205987
204281	12309	Thread Retainer Guide Wire, for 207814
204296	12153	Spool Holder Wire, for 204297
204297	12153	Spool Holder complete, Nos. 200079u, 202068 and 204296
204326	---	Needle Bar Packing Cord
204327	---	Presser Bar Packing Washer (felt), for Machine No. 12w209
204333	12309	Thread Controller Spring Guard, for 205987
204334	10494	Needle Stripper Bar Spring Seat, for 207839
204393	12784	Hook Driver Bushing, for 207888 ..
204479	12787	Needle Bar Connecting Link Hinge Screw Stud Set Screw Packing (brass), for 204722

No.	Plate	Name
204531	12784	Bobbin Case Tension Spring, for 208383
204539	12784	Hook Bracket Bobbin Case Stop (hinged), for 207820
Nos. 204696 to 204698, for 227957		
204696	12789	Starting Treadle Lifting Spring
204697	12789	" " " "
		Hook (bench)
204698	12790	Starting Treadle Pitman Rod (upper) with 202302
204706	12786	Arm Shaft Connection with four 200054E
204717	12787	Needle Bar Connecting Link
204720	12789	Presser Bar Lifting Bracket Position Guide, for Machine No. 12w209
204722	12786	Take-up Cam with 200335c, 200346c, 200383c, 200430c, 200658c and 204479
204723	12788	Take-up Lever Bearing with 204264, for 208372
204726	12788	Thread Controller Spring, for 204731
204730	12788	" " Thread Guard, for 207814
204731	—	Thread Controller and Spring complete, Nos. 204726 and 205987, for 207815
204736	12785	Arm Shaft Bushing (back), for 207890
204741	12786	Machine Driving Friction Clamp, for 207834
204742	12785	Machine Driving Friction Clamp Operating Washer, for 223017 ..
204743	12786	Machine Driving Friction Clamp Operating Washer Incline Lever, for 223017
204744	10494	Machine Driving Friction Clamp Spring, for 207834
204745	12786	Machine Incline Lever with 201230E and 201537E, for 223017
204747	—	Machine Stop Cam Friction Ring (leather), for 223002
204757	12786	Needle Stripper Bar with 204758 and two 200610E, for 207839
204758	12787	Needle Stripper Bar Position Guide, for 204757
204759	12785	Needle Stripper Bar Spring, for 207839

No.	Plate	Name
204795	12788	Thread Controller Spring Stud with 204925, for 207815
204925	12788	Thread Controller Spring Stud Washer, for 204795
205987	12309	Thread Controller complete, Nos. 200300c, 200581H, 202084, 202098, 204274, 204275 and 204333, for 204731
206076	12784	Bobbin
206105	12785	Bed Slide (back)
206386	11951	Starting Treadle Stand (left or right) with two wood screws 1 in., No. 12, for 228189
206427	12787	Machine Stop Cam Friction Ring Position Pin, for 223002
206482	12787	Needle Stripper Bar Thumb Nut Washer, for 207839
207418	12788	Throat Plate, 46 needle hole, for needle sizes 16 and 18
207424	12788	Throat Plate, 50 needle hole, for needle sizes 14 and 15
Nos. 207812 to 207814, for 207815		
207812	12702	Tension Release Lever
207813	12702	" " " Operating Lever (adjustable)
207814	—	Face Plate with 200366H, 202087, 202090, 204185, 204281, 204730, two each 200368H and 200397H ..
207815	12701	Face Plate complete, Nos. 200577H, 204059, 204272, 204731, 204795, 207812 to 207814, two each 200118E and 200309E
207820	—	Hook Bracket 204219 with 204224, 204225, 204229, 204539, two each 204223 and 204231, for 207821
207821	—	Hook Bracket complete, Nos. 204216 and 207820
207833	12786	Balance Wheel (belt groove 2 3/4 in. diam.), for 207834
207834	—	Balance Wheel complete, Nos. 204741, 207833, 223002, 235328, 235396, three each 200233c, 204744 and four 200567H, for 223017
207835	12787	Needle Bar Guard
207837	12785	" " (hollow) with 207840, for 207839

Copyright of: Diamond Needle Corp.

No.	Plate	Name
207839	—	Needle Bar and Stripper complete, Nos. 200846e, 201540e, 201608u, 204334, 204757, 204759, 206482 and 207837, for Machine No. 12w208..
*207840	—	Needle Clamp with 200420e, for 207837
*207885	—	Arm
207886	12786	" Shaft
207887	12785	" " Bushing (front) with 202260
*207888	—	Bed with 203376, 204245, 204393 and two 200516e
207889	12786	Hook Driving Shaft
207890	12786	Machine Incline Lever Bearing with 200383c and 204736
208246	—	Hook Driver Crank, for 204240 ...
208372	—	Take-up Lever 204262 with 204723, for 213816
208380	12790	Presser Bar, for Machine No. 12w209
208382	12784	Bobbin Case (solid center bearing) with 204181, for 208383
208383	—	Bobbin Case complete, Nos. 200592c, 200598c, 204531 and 208382
213639	12789	Presser Bar Collar with 200380c, for Machine No. 12w209
213816	—	Take-up Lever complete, Nos. 200042e, 201816 and 208372
223001	12785	Machine Starting Lever, for 223017
223002	12786	" Stop Cam with 200328c, 200335c, 200370c, 204747 and 206427, for 207834
223013	12787	Machine Stop Cam Slide, for 223016
223014	12787	" " " " Spring, for 223016
223015	12785	Machine Stop Cam Slide Lever, for 223016
223016	—	Machine Stop Cam Slide Lever 223015 with 200122u, 200249e, 200991e, 201822, 223013, 223014 and two 201525e, for 223017
223017	—	Machine Stop Motion complete, Nos. 200219d, 200258d, 200776d, 201072d, 201522e, 202622, 204742, 204743, 204745, 207834, 223001 and 223016
*225482	—	Bobbin Case Screw Driver Blade, for 225497
*225483	—	Bobbin Case Screw Driver Handle, for 225497

No.	Plate	Name
*225484	—	Screw Driver Blade, for 225498 ...
*225485	—	" " Handle, for 225498 ...
225497	12153	Bobbin Case Screw Driver complete, Nos. 225482 and 225483 ...
225498	12153	Screw Driver complete (7 $\frac{1}{4}$ in. long), Nos. 225484 and 225485 ...
225554	12153	Wrench
227310	12790	Knee Presser Lever Rod with 202302, for Machine No. 12w209..
227465	12790	Knee Presser Lever, for 227470 ...
227470	—	" " " 227465 with 200262u, for Machine No. 12w209
227522	12319	Bobbin Winder Stop Latch, for 227523
227523	12320	Bobbin Winder complete, Nos. 200056e, 200161d, 200221d, 201537u, 202470 to 202474, 202177, 202478, 227522, three 200299u and two round head wood screws $\frac{3}{8}$ in., No. 12, for 227524
227524	—	Bobbin Winder and Spool Holder complete, Nos. 202485 and 227523
227728	13395	Knee Lifter Rock Shaft Lifting Lever Rod with 227729, for 228285
227729	—	Knee Lifter Rock Shaft Lifting Lever Rod Cap, for 227728
227956	11951	Starting Treadle Pitman Rod (lower), for 227957
227957	11951	Starting Treadle Pitman complete, Nos. 204696 to 204698, 227956 and two 204126, for 228190
228189	—	Starting Treadle complete, Nos. 126037 and two 206386, for 228190
228190	—	Starting Treadle and Pitman complete, Nos. 227957 and 228189 ..
228213	—	Drip Pan with four 1 in. wire nails
228278	13395	Knee Lifter Rock Shaft Hanger (back) with 356c, for 228279 ...
228279	—	Knee Lifter Rock Shaft Hanger 228278 with 202452 and 228282, for 228285
228280	13395	Knee Lifter Rock Shaft Hanger (front) with 356c, for 228281
228281	—	Knee Lifter Rock Shaft Hanger 228280 with 202452 and 228282, for 228285
228282	13395	Knee Lifter Rock Shaft Bracket with two wood screws $\frac{3}{8}$ in., No. 12, for 228279 and 228281

Numerical List of Parts

No.	Plate	Name
228283	13395	Knee Lifter Rock Shaft Lifting Lever with two 356c, for 228285
228284	13395	Knee Lifter Rock Shaft Knee Plate with 356c, for 228285
228285	13395	Knee Lifter Rock Shaft complete, Nos. 2763, 202455, 227728, 228279, 228281, 228283 and 228284
235328	12786	Machine Driving Friction (leather), for 207834
235396	12786	Machine Driving Friction Position Plate, for 207834
244007	12309	Tension Disc, for 204272

**ILLUSTRATIONS OF PARTS
FOR
MACHINES
Nos. 12w208 and 12w209**

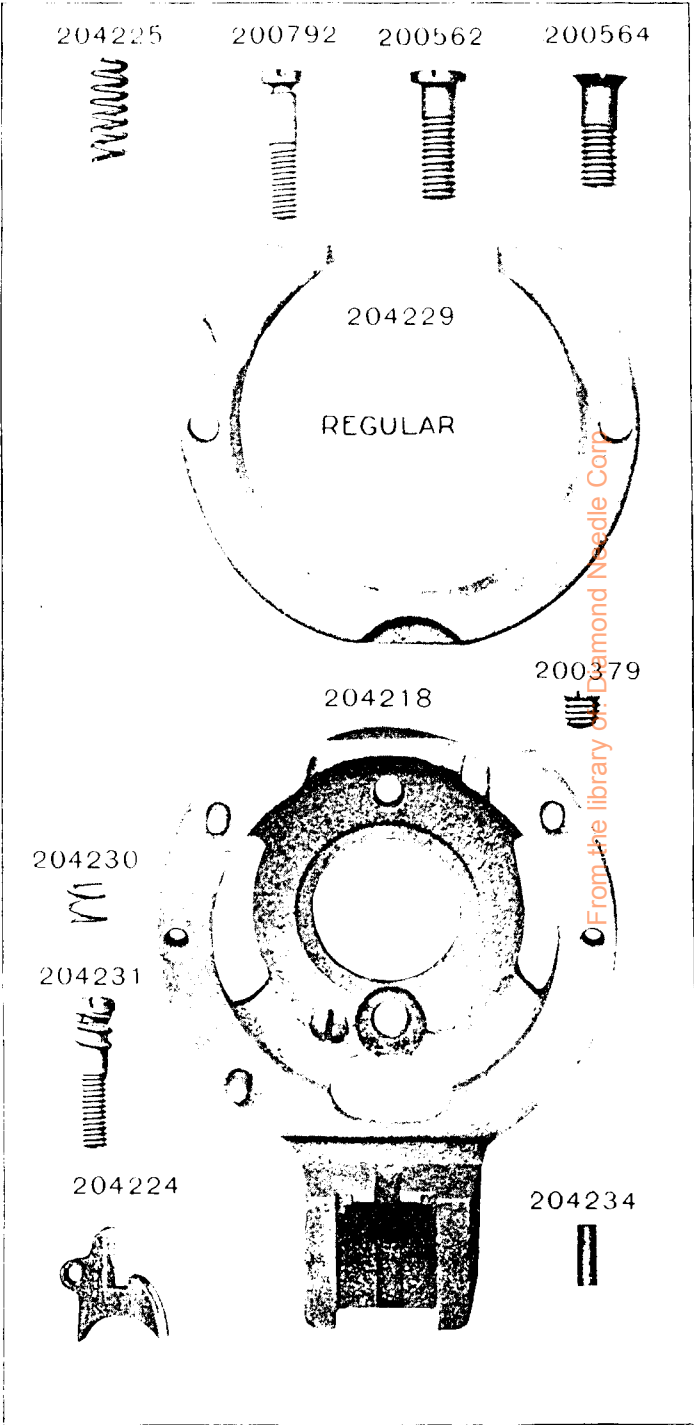


PLATE 10448—FULL SIZE

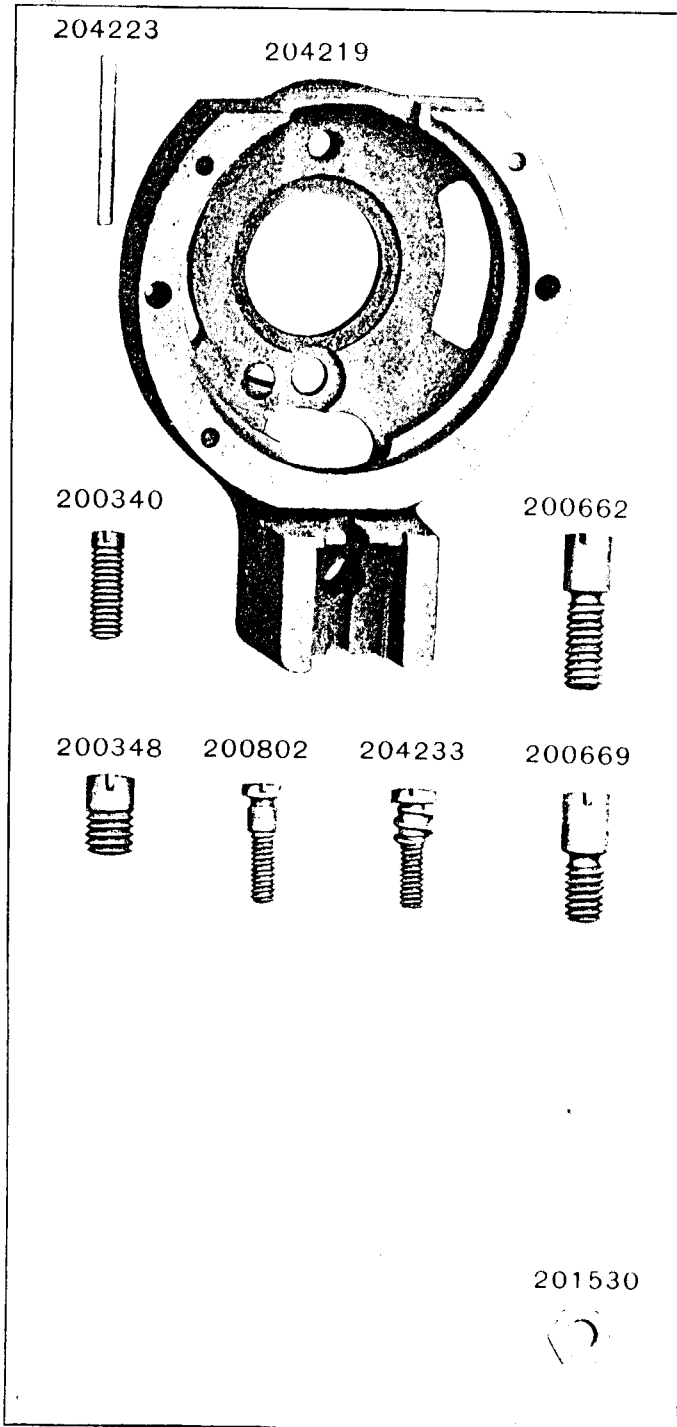


PLATE 10449—FULL SIZE

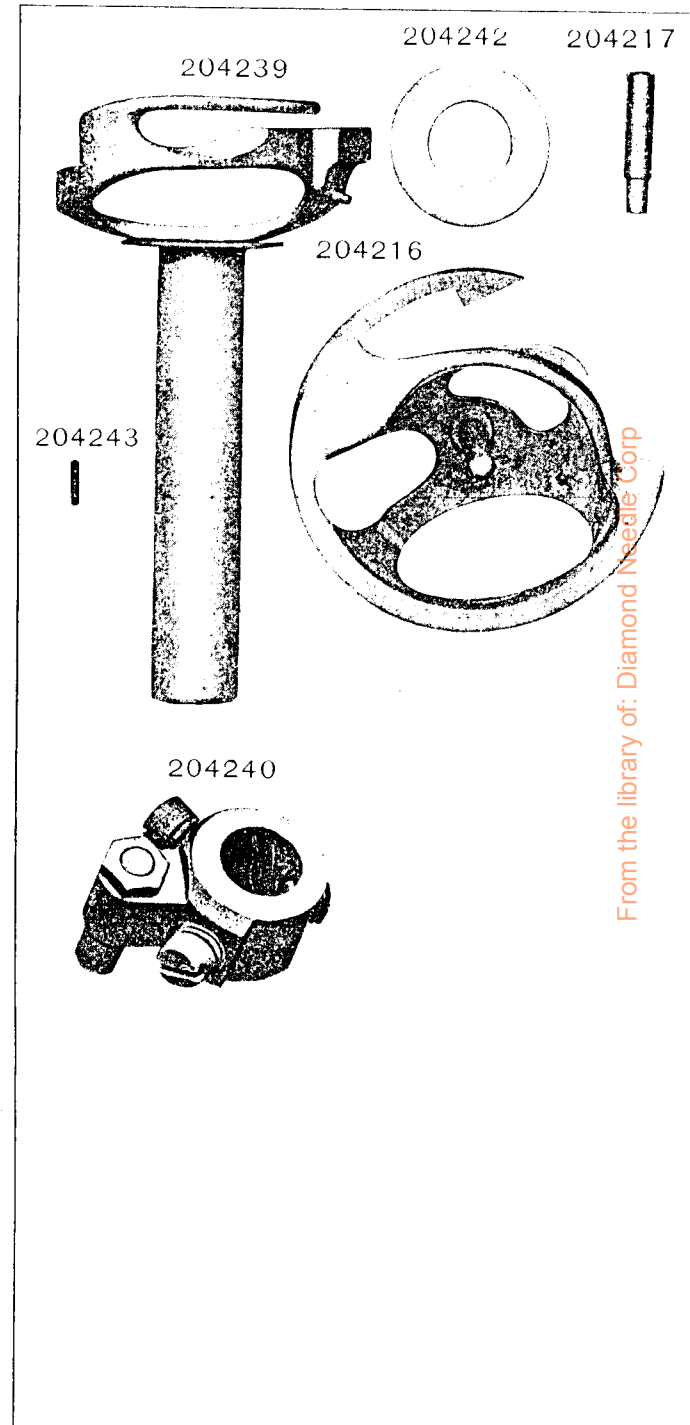


PLATE 10494—FULL SIZE

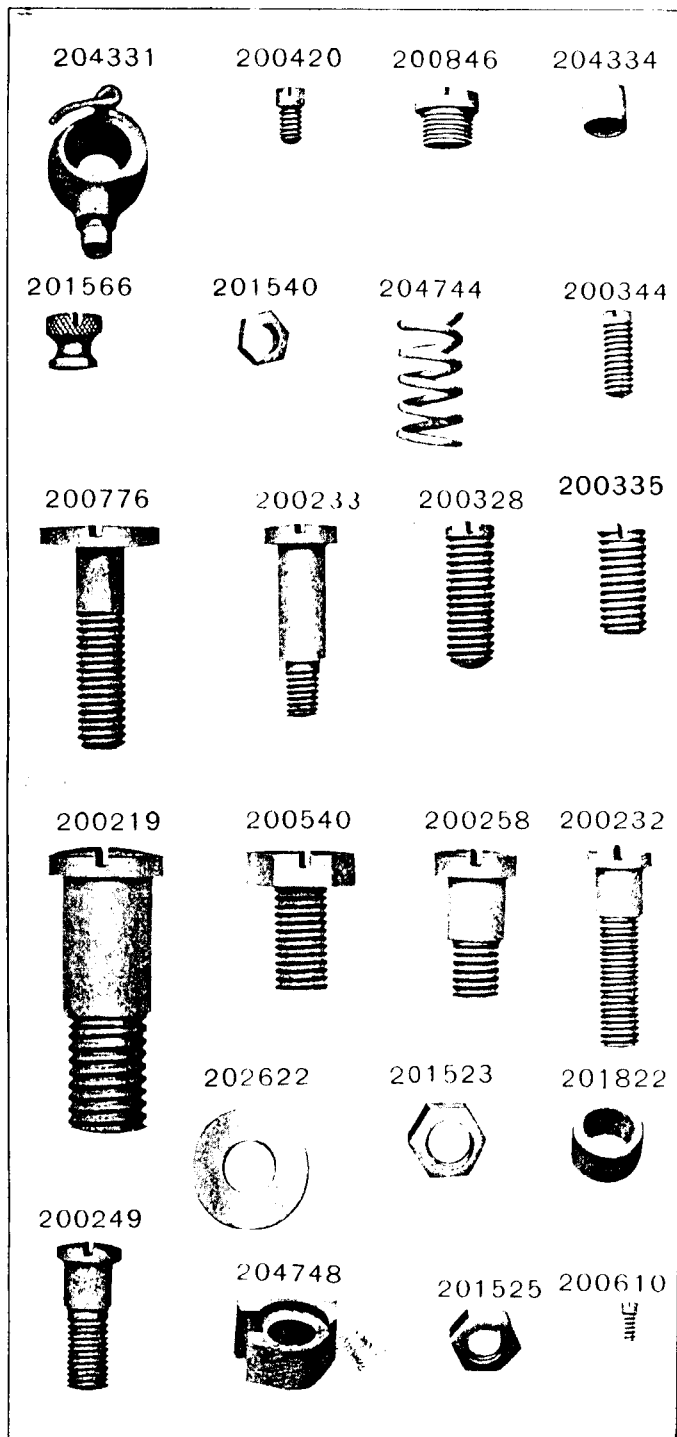
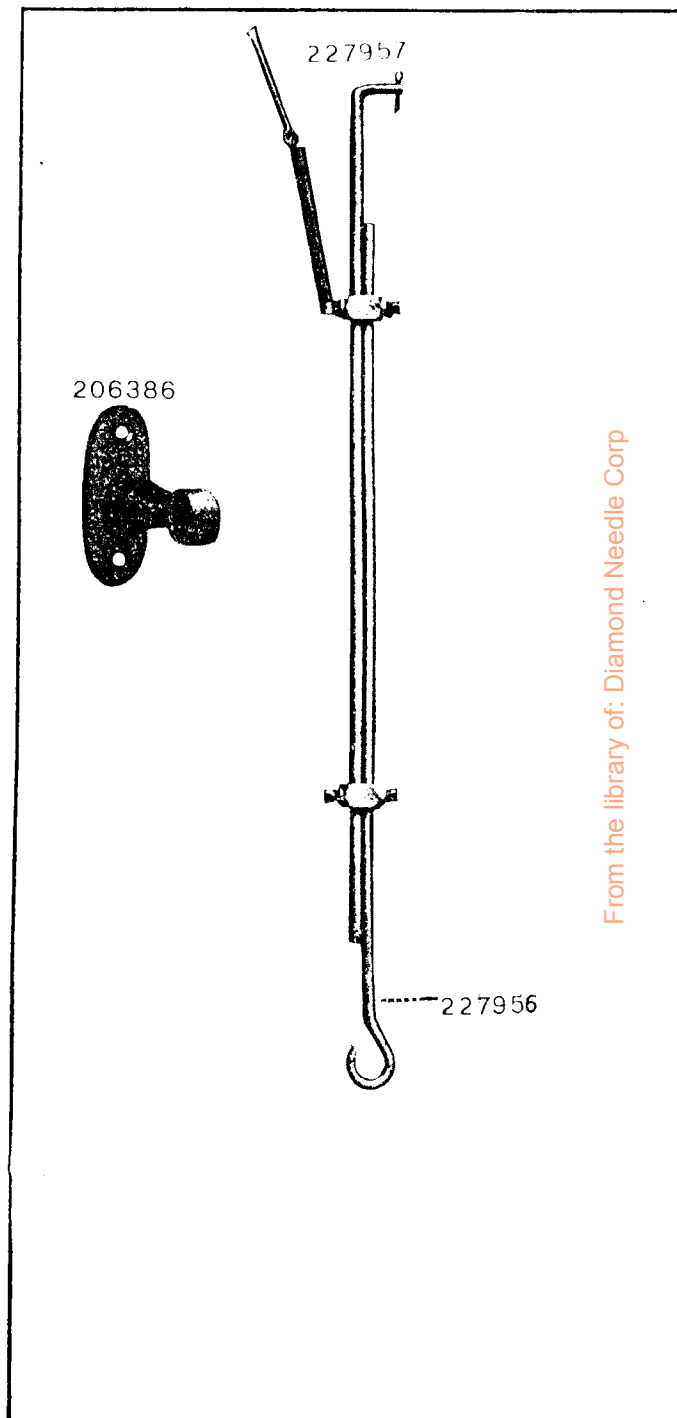


PLATE 11951—ONE-FOURTH SIZE



From the library of: Diamond Needle Corp

PLATE 12153—ONE-HALF SIZE

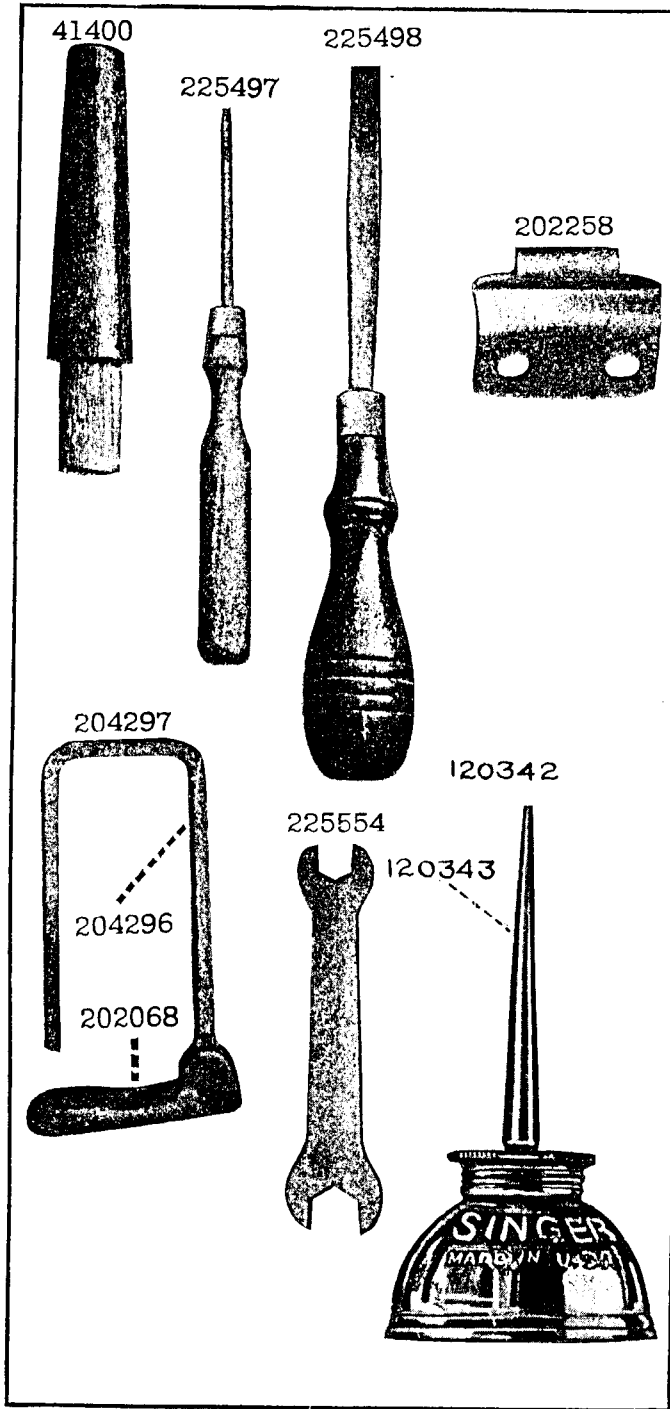


PLATE 12309—FULL SIZE

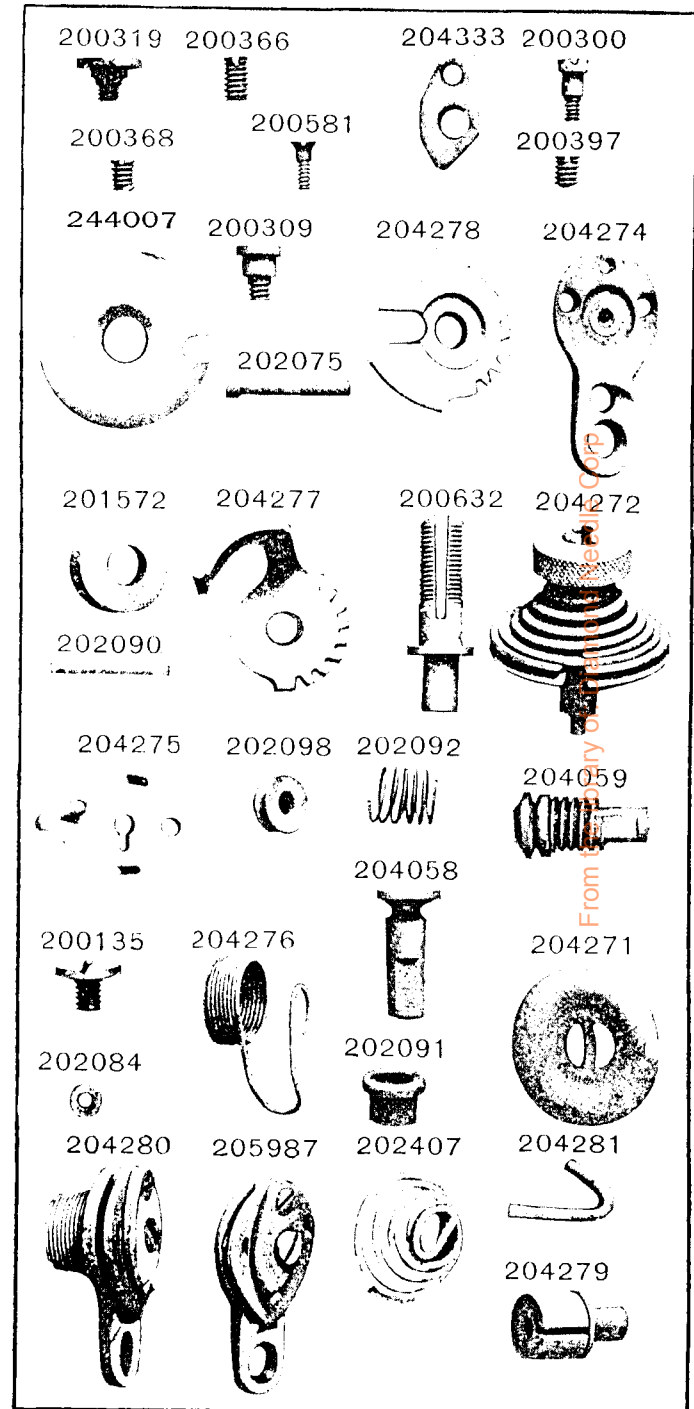


PLATE 12319 -FULL SIZE

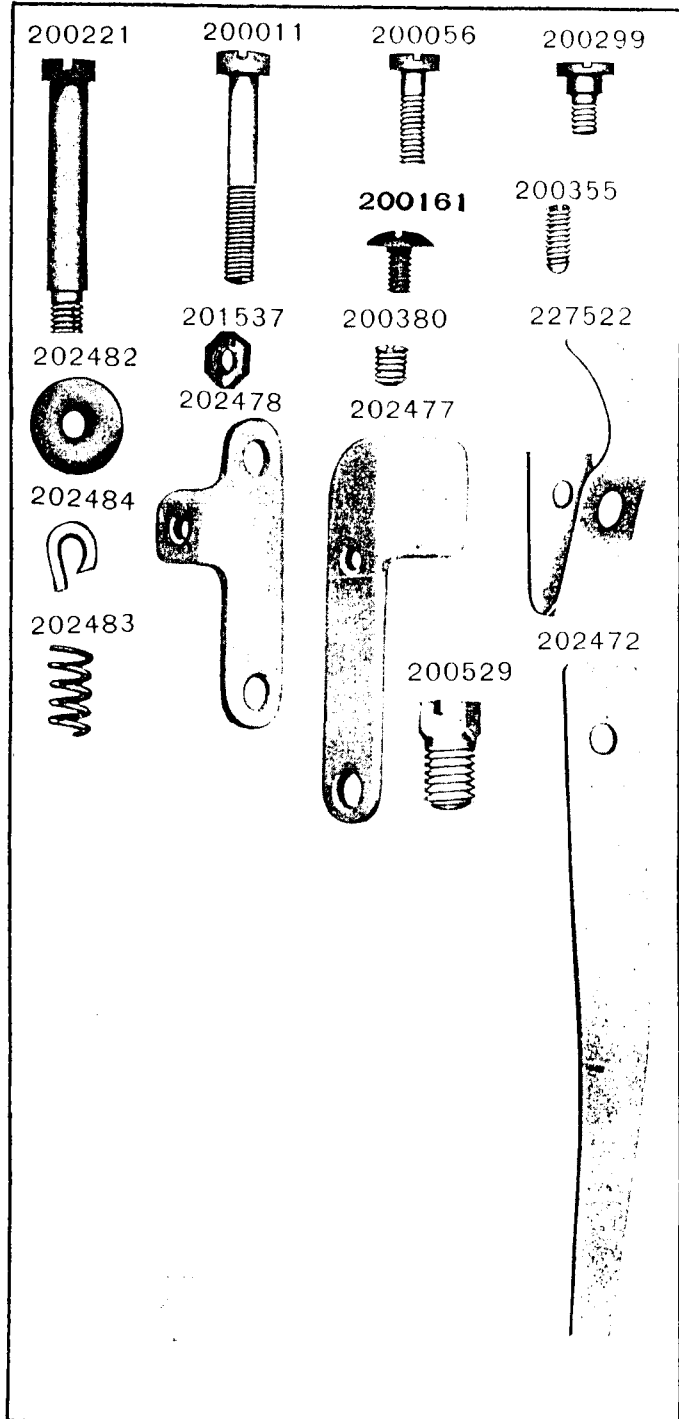
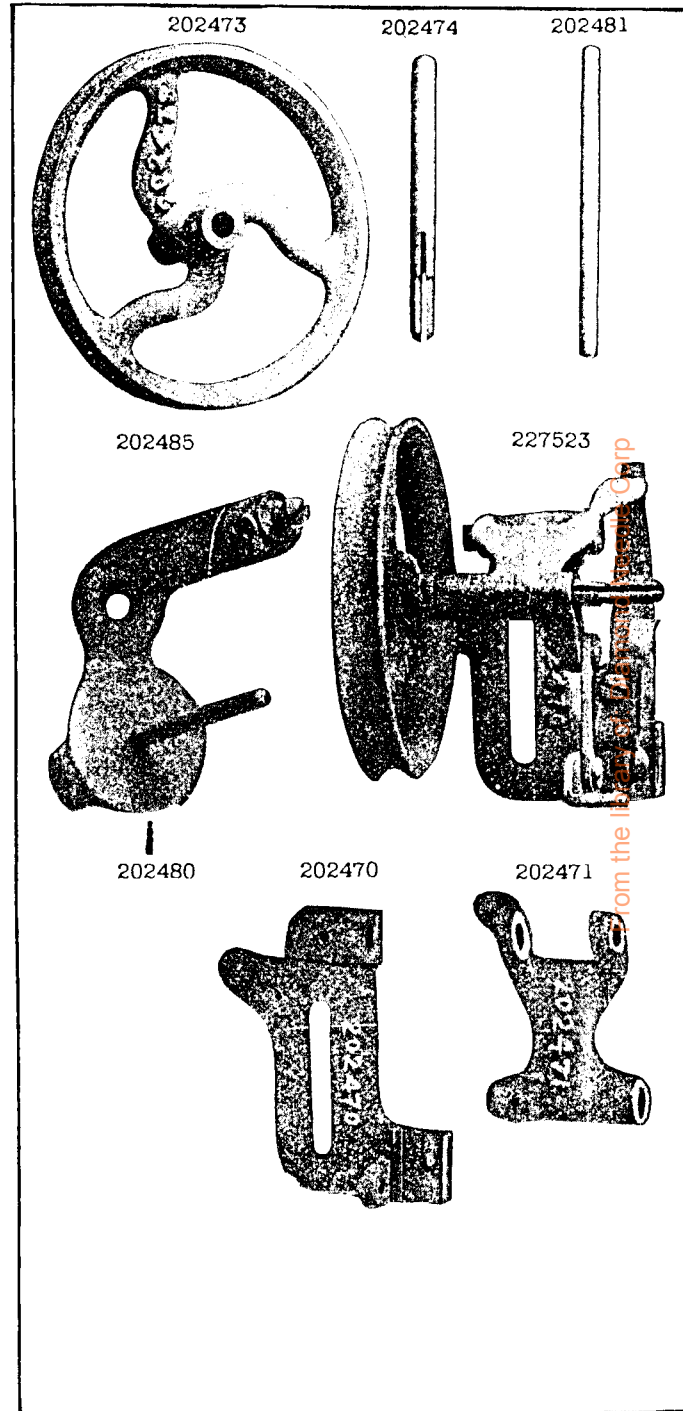


PLATE 12320 -ONE-HALF SIZE



from the library of the U.S. Army

PLATE 12701—ONE-HALF SIZE

207815

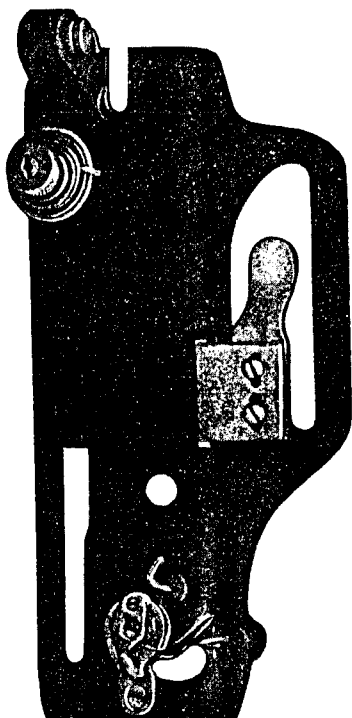
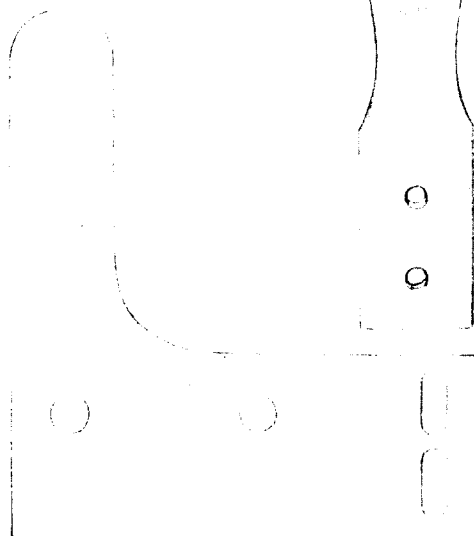


PLATE 12702—FULL SIZE

207813



207812

From the library of: Diamond Needle Corp

PLATE 12784—FULL SIZE

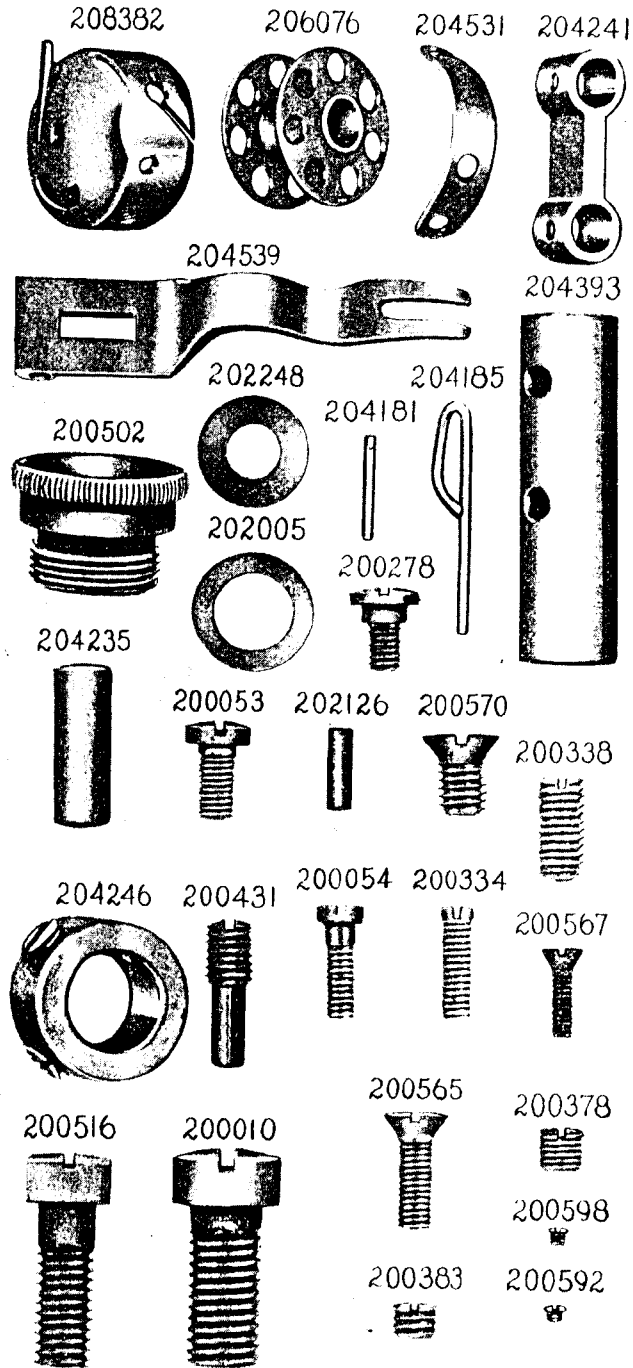


PLATE 12785—ONE-HALF SIZE

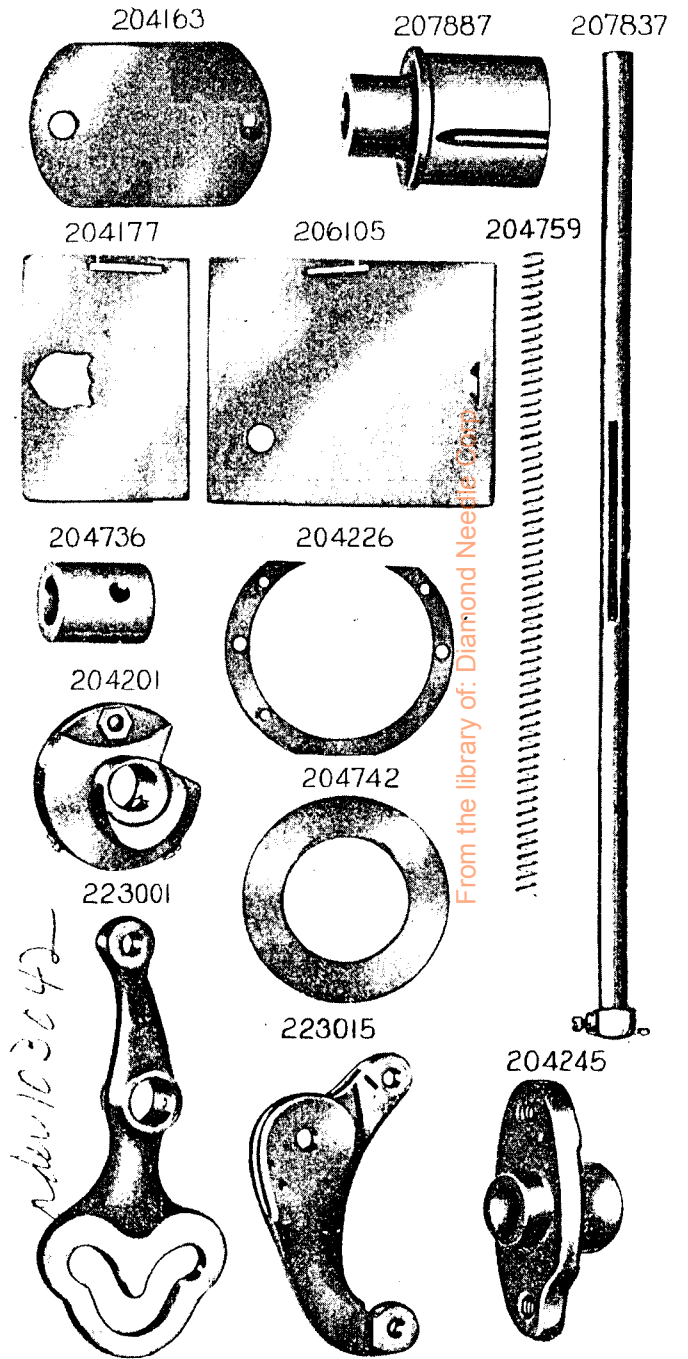


PLATE 12786—ONE-FOURTH SIZE

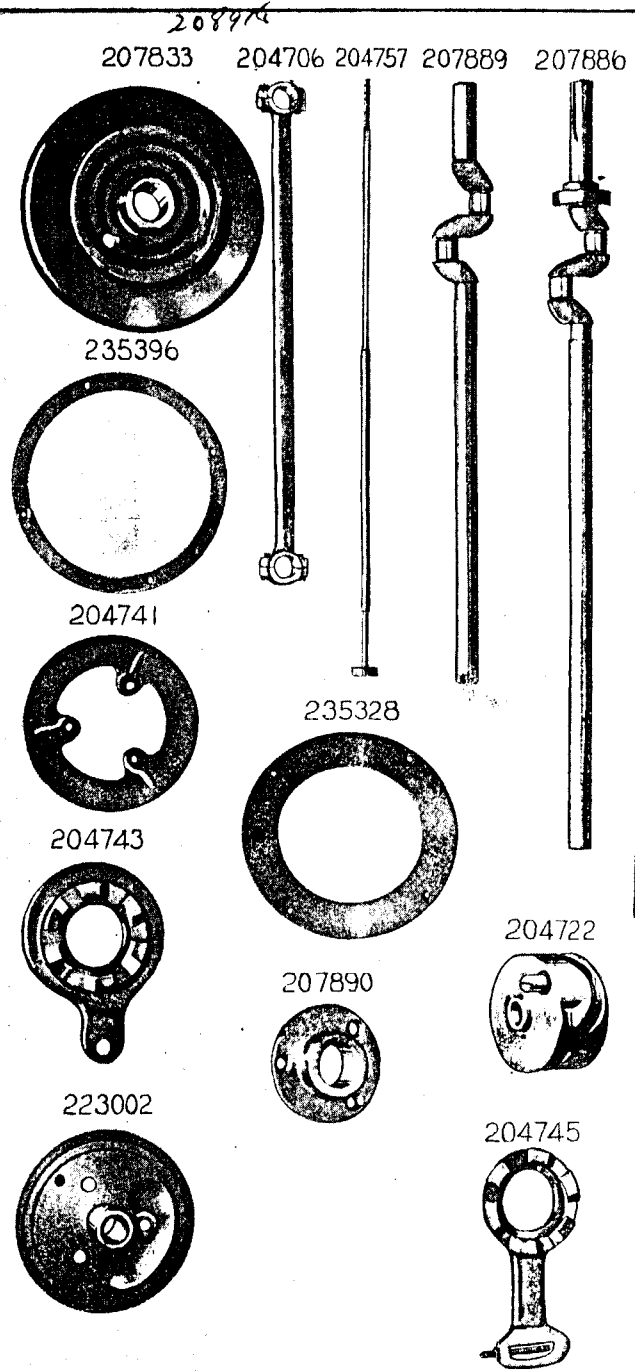


PLATE 12787—FULL SIZE

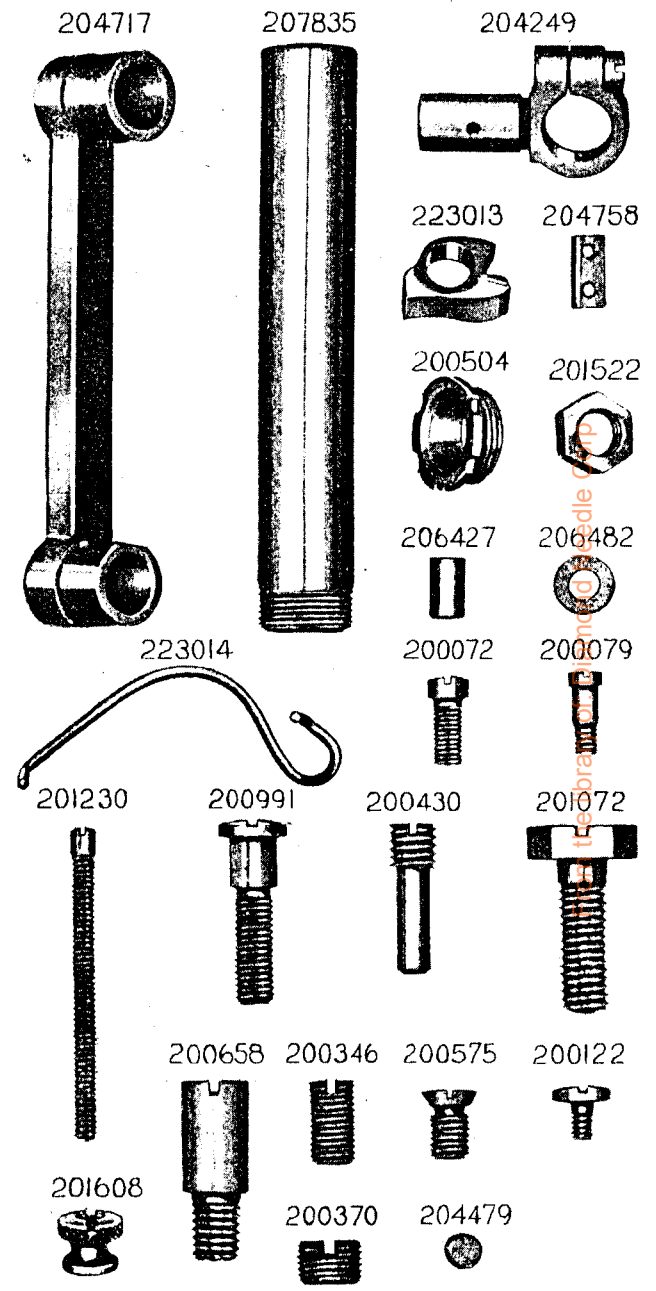


PLATE 12788—FULL SIZE

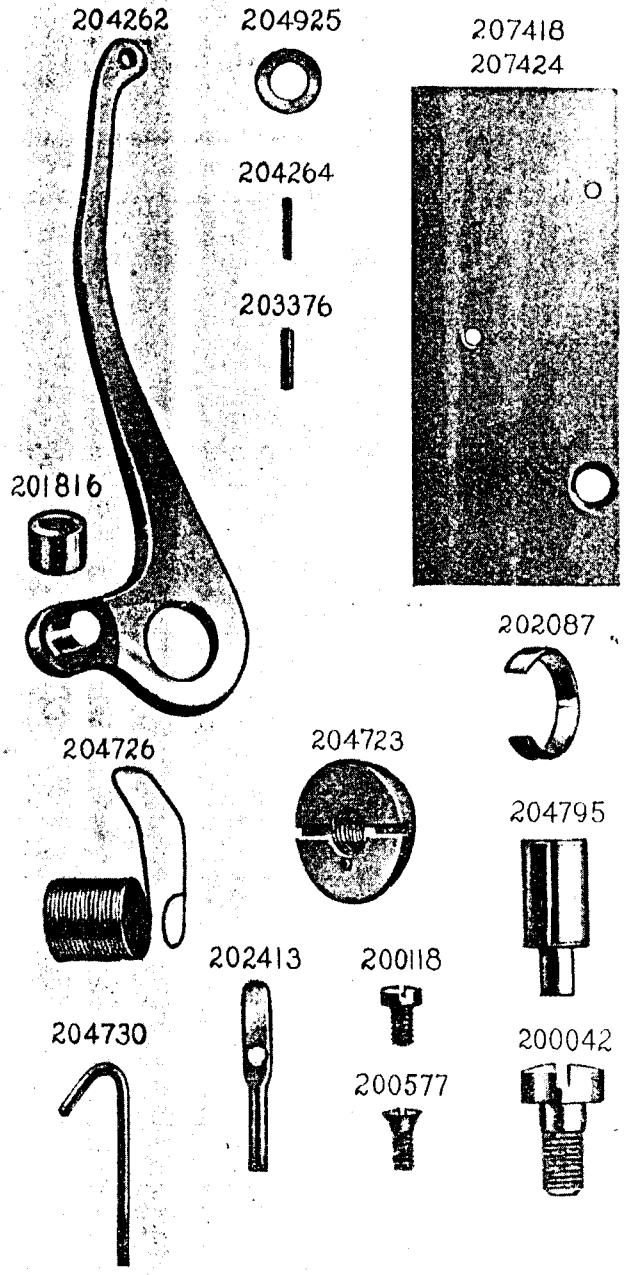


PLATE 12789—FULL SIZE

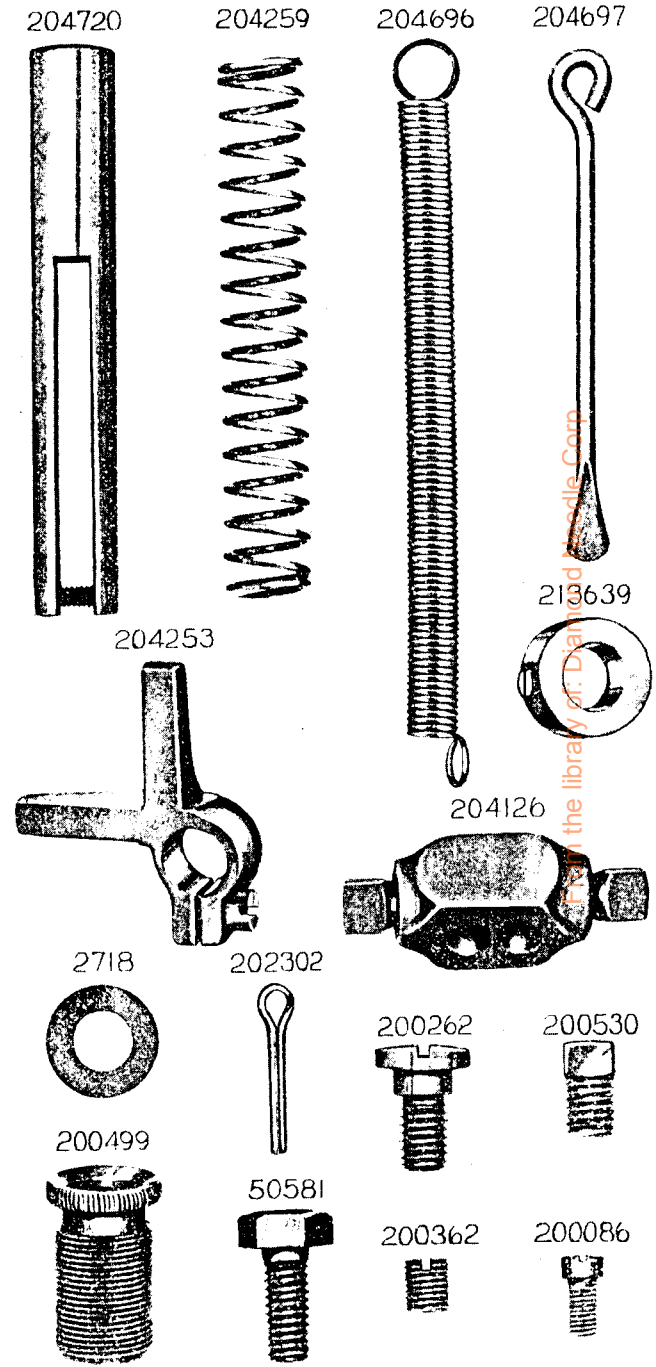


PLATE 12790—ONE-FOURTH SIZE

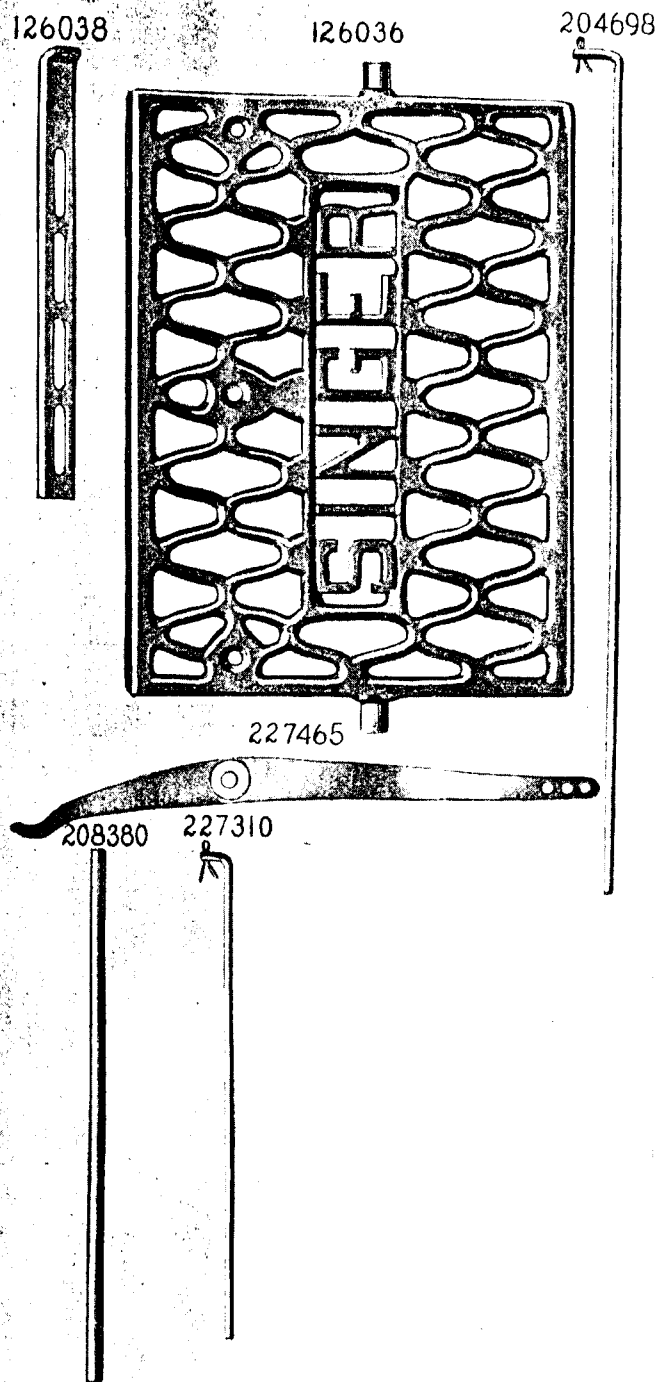


PLATE 13395—ONE-FOURTH SIZE

